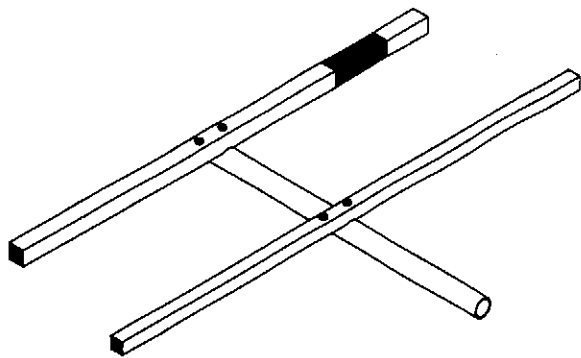


# **YAGI ANTENNAS**



# Features

- ◆ End-mounting construction to minimize the effect of the support structure on the radiation pattern
- ◆ Low front to back ratio allowing some coverage to the rear of the antenna
- ◆ Rugged design to withstand harsh environmental conditions
- ◆ DC grounded to protect against damage from lightning strikes
- ◆ 6061-T6 aluminum elements and stainless steel hardware for high strength, low weight and corrosion resistance
- ◆ Mounting hardware supplied will permit either vertical or horizontal polarization
- ◆ Heavy duty version available for extreme wind & ice conditions
- ◆ Dual & quad stacked arrays are available for special pattern configurations



# Yagi Antenna **A-1502EB**

4.0 dBd

138-174 MHz

*Rugged 2 element low gain yagi antenna with wide unidirectional pattern for increased coverage needed in certain system application.*

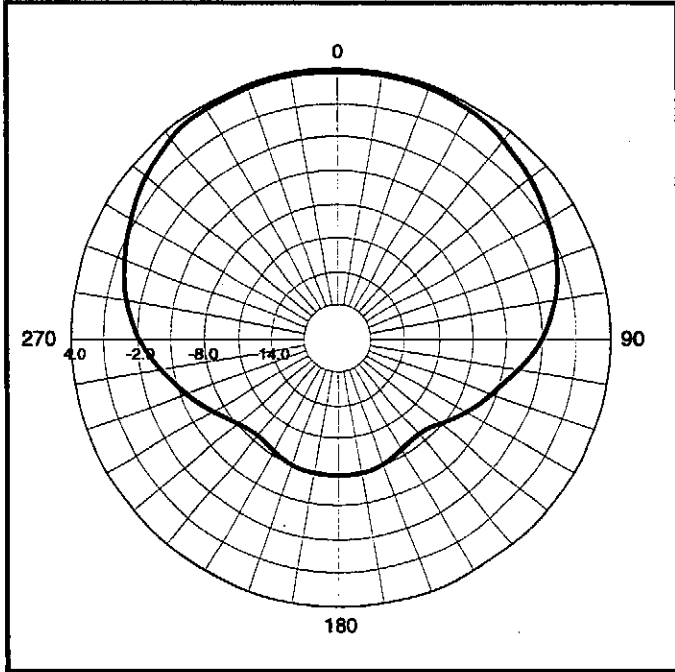
Electrical Specifications	A-1502EB	
Frequency Range:	MHz	138-174
Nominal Gain:	dBd	4.0
Bandwidth, 1.5:1 VSWR:	MHz	See Note 2
Horizontal Beamwidth (-3 dBd)	Deg.	120
Vertical Beamwidth (-3dBd)	Deg.	56
Front to Back Ratio:	dB	15
Power Rating:	Watts	350
Polarization:	Vertical or horizontal	
Pattern:	Directional	
Lightning Protection:	DC ground	
Termination:	Type "N" Male	

- Note:
- (1) VSWR is referenced to 50 ohms.
  - (2) Specify frequency band when ordering - Standard frequency bands are: (MHz) 138-143, 143-148, 148-152, 152-159, 157-164, 162-169, 167-174.
  - (3) Horizontal & vertical beamwidths are given for vertical polarization.

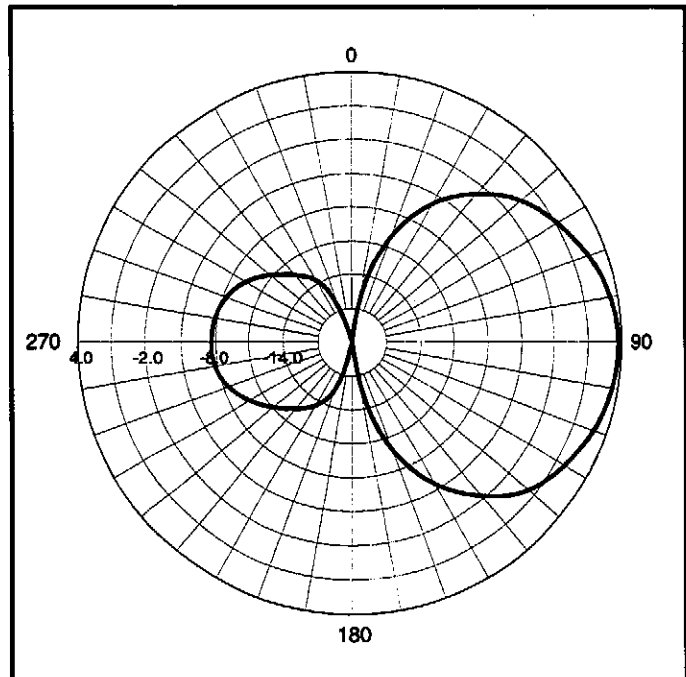
Mechanical Specifications	A-1502EB	
Dimensions:(at 138 MHz)	in. (mm)	43" W x 52" L (1082) W x (1321) L
Weight:	lbs.(kg)	4 (1.8)
Rated Wind Velocity:	mph(km/h)	160 (259)
Rated Wind Velocity with 0.5 in.(13 mm) radial ice:	mph(km/h)	100 (162)
Horizontal Thrust at Rated Wind Velocity and Ice	lbs.(kg)	36 (16.4)

Mounting information:  
A clamp is provided to mount on 1.9" O.D.(48mm) pipe.

**HORIZONTAL PATTERN FOR VERTICAL POLARIZATION**



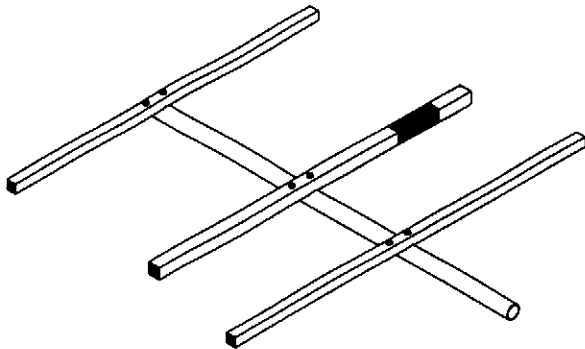
**VERTICAL PATTERN FOR VERTICAL POLARIZATION**





## Features

- ◆ End-mounting construction to minimize the effect of the support structure on the radiation pattern
- ◆ High front to back ratio to minimize interferences from and with other systems
- ◆ Very rugged design to withstand harsh environmental conditions
- ◆ DC grounded to protect against damage from lightning strikes
- ◆ 6061-T6 aluminum elements and stainless steel hardware for high strength, low weight and corrosion resistance
- ◆ Mounting hardware supplied will permit either vertical or horizontal polarization
- ◆ Heavy duty version available for extreme wind & ice conditions
- ◆ Dual & quad stacked arrays are available for increased gain or special pattern configurations



## Yagi Antenna

# A-1503EB

6.5 dBd

138-174 MHz

*Rugged three element medium gain yagi antenna for point to point or point to multipoint applications.*

### Electrical Specifications

### A-1503EB

Frequency Range:	MHz	138-174
Nominal Gain:	dBd	6.5
Bandwidth, 1.5:1 VSWR:	MHz	See Note 2
Horizontal Beamwidth (-3 dBd)	Deg.	85
Vertical Beamwidth (-3 dBd)	Deg.	60
Front to Back Ratio:	dB	20
Power Rating:	Watts	350
Polarization:		Vertical or horizontal
Pattern:		Directional
Lightning Protection:		DC ground
Termination:		Type "N" Male

- Note: (1) VSWR is referenced to 50 ohms.  
 (2) Specify frequency band when ordering - Standard frequency bands are: (MHz) 138-143, 143-148, 148-152, 152-159, 157-164, 162-169, 167-174.  
 (3) Horizontal & vertical beamwidths are given for vertical polarization.

### Mechanical Specifications

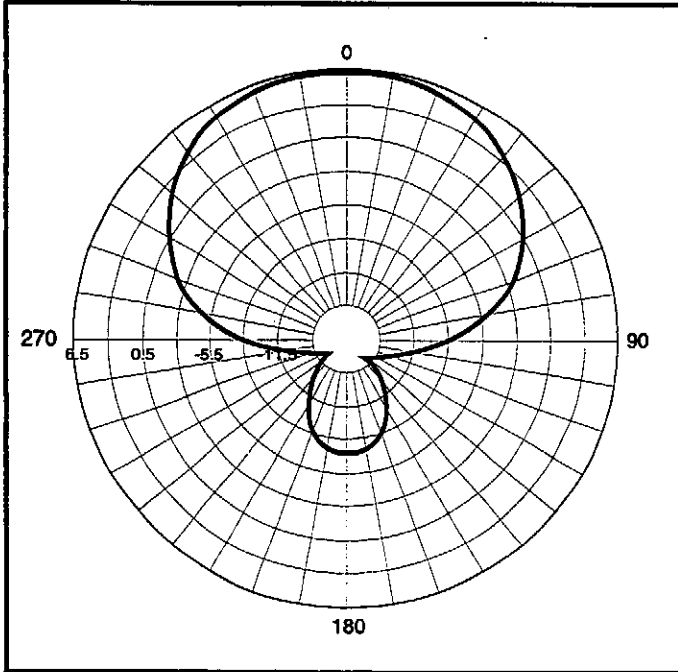
### A-1503EB

Dimensions:	in. (mm)	43" W x 60" L (1082) W x (1524) L
Weight:	lbs.(kg)	6 (2.7)
Rated Wind Velocity:	mph(km/h)	150 (241)
Rated Wind Velocity with 0.5 in.(13 mm) radial ice:	mph(km/h)	100 (162)
Horizontal Thrust at Rated Wind Velocity and Ice	lbs.(kg)	48 (22)

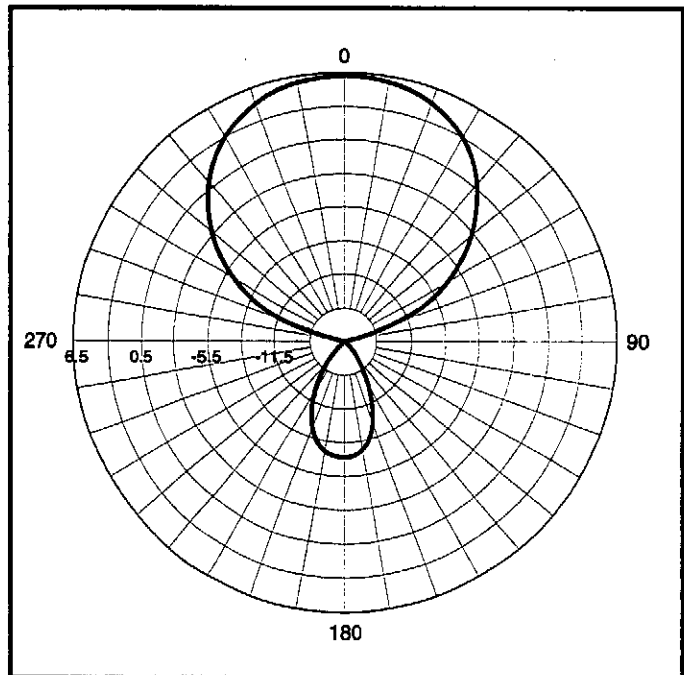
### Mounting information:

A clamp is provided to mount on 1.9" O.D.(48mm) pipe.

HORIZONTAL PATTERN FOR VERTICAL POLARIZATION



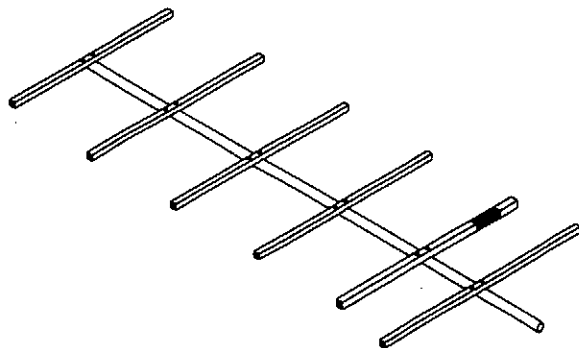
VERTICAL PATTERN FOR VERTICAL POLARIZATION





## Features

- ◆ High performance antenna available as a center-mount Yagi, the A-1506, or as an end-boom mounted unit, the A-1506EB
- ◆ High directivity and high front to back ratio to minimize interferences from and with other systems
- ◆ Very rugged design to withstand harsh environmental conditions
- ◆ DC grounded to protect against damage from lightning strikes
- ◆ 6061-T6 aluminum elements and stainless steel hardware for high strength, low weight and corrosion resistance
- ◆ Mounting hardware supplied will permit either vertical or horizontal polarization
- ◆ Heavy duty version available for extreme wind and ice conditions
- ◆ Dual and quad stacked arrays are available for increased gain:
  - Dual stacked array for 12.0 dBd, add suffix-2
  - Quad stacked array for 14.5 dBd, and suffix-4.
- ◆ Horizontal & vertical "H" frame kits also available to mount two or four yagis to a common feed



## Yagi Antenna **A1506 & A1506EB**

9.5 dBd

138-174MHz

*Rugged six element high gain yagi antenna designed for point to point or point to multipoint applications.*

### Electrical Specifications

		A-1506 A1506EB
Frequency Range:	MHz	138-174
Nominal Gain:	dBd	9.5
Bandwidth, 1.5:1 VSWR:	MHz	Note 2
Horizontal Beamwidth (-3 dBd)	Deg.	55
Vertical Beamwidth (-3 dBd)	Deg.	45
Front to Back Ratio:	dB	20
Power Rating:	Watts	350
Polarization:		Vertical or horizontal
Pattern:		Directional
Lightning Protection:		DC ground
Termination:		Type "N" Male

- Note:
- (1) VSWR is referenced to 50 ohms.
  - (2) Specify frequency band when ordering - Standard frequency bands are: 138-143, 143-148, 148-152, 152-159, 157-164, 162-169, 167-174 MHz.
  - (3) Horizontal & vertical beamwidths are given for vertical polarization.

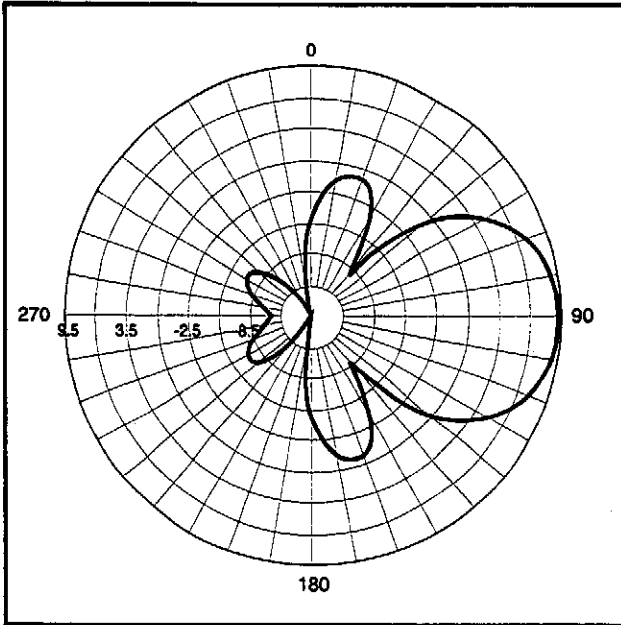
### Mechanical Specifications

		A-1506 A-1506EB
Dimensions:	in.	96 L x 38 W 108 L x 38 W
	(mm)	(2438 L x 965 W) (2743 L x 965 W)
Weight:	lbs.(kg)	11 (5.0)
		12 (5.4)
Rated Wind Velocity:	mph(km/h)	150 (241)
Rated Wind Velocity with 0.5 in.(13 mm) radial ice:	mph(km/h)	85 (137)
Horizontal Thrust at Rated Wind Velocity and Ice	lbs.(kg)	91 (41.3)
		100 (45.3)

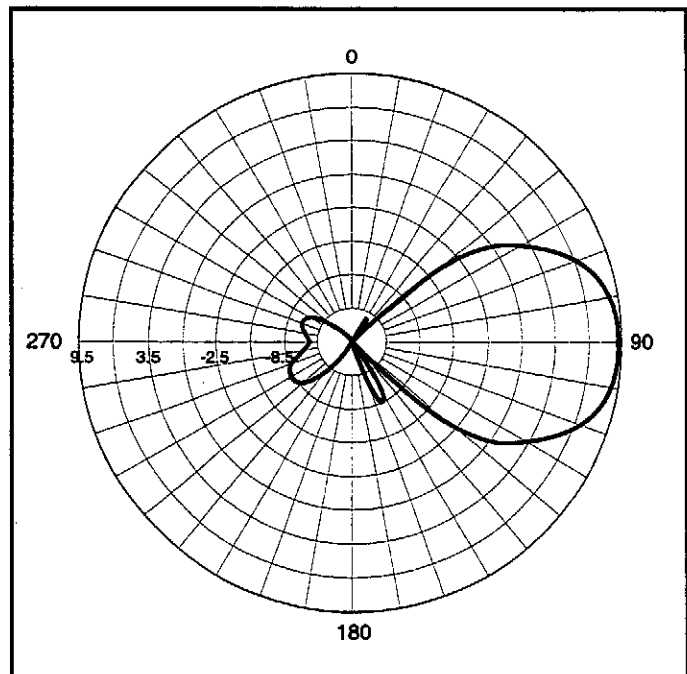
### Mounting information:

A clamp is provided to mount on 1.9" - 2.38" O.D.  
(48 - 60mm) pipe.

HORIZONTAL PATTERN FOR VERTICAL POLARIZATION



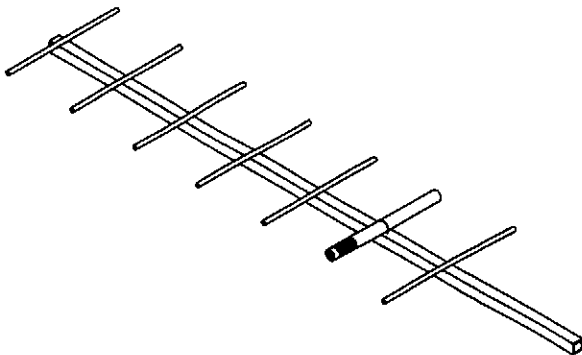
VERTICAL PATTERN FOR VERTICAL POLARIZATION





# Features

- ◆ High directivity and high front to back ratio to minimize interferences from and with other systems
- ◆ Very rugged design to withstand harsh environmental conditions
- ◆ DC grounded to protect against damage from lightning strikes
- ◆ 6061-T6 aluminum elements and stainless steel hardware for high strength, low weight and corrosion resistance
- ◆ Mounting hardware supplied will permit either vertical or horizontal polarization
- ◆ Dual & quad stacked arrays are available for increased gain:
  - Dual stacked array for 12.5 dBd, add suffix-2
  - Quad stacked array for 15.0 dBd, add suffix-4
- ◆ Horizontal & vertical "H" frame kits also available to mount two or four yagis to a common feed.



# Yagi Antenna **A-4507**

10.0 dBd

406-512 MHz

*Rugged 7 element 10 dBd yagi antenna with high directivity, low VSWR and high front to back ratio. The reflector and directors are 0.5 in. (13 mm) solid round aluminum rods, precision welded to their main boom to reduce the risks of damage or misalignment.*

Electrical Specifications	A-4507	
Frequency Range:	MHz	406-512
Nominal Gain:	dBd	10
Bandwidth, 1.5:1 VSWR:	MHz	See Note 2
Horizontal Beamwidth (-3 dBd)	Deg.	55
Vertical Beamwidth (-3 dBd)	Deg.	45
Front to Back Ratio:	dB	20
Power Rating:	Watts	350
Polarization:	Vertical or horizontal	
Pattern:	Directional	
Lightning Protection:	DC ground	
Termination:	Type "N" Male	

- Note:
- (1) VSWR is referenced to 50 ohms.
  - (2) Specify frequency band when ordering - Standard frequency bands are: 406-430, 430-450, 450-470, 470-490 and 490-512 MHz.
  - (3) Horizontal & vertical beamwidths are given for vertical polarization.

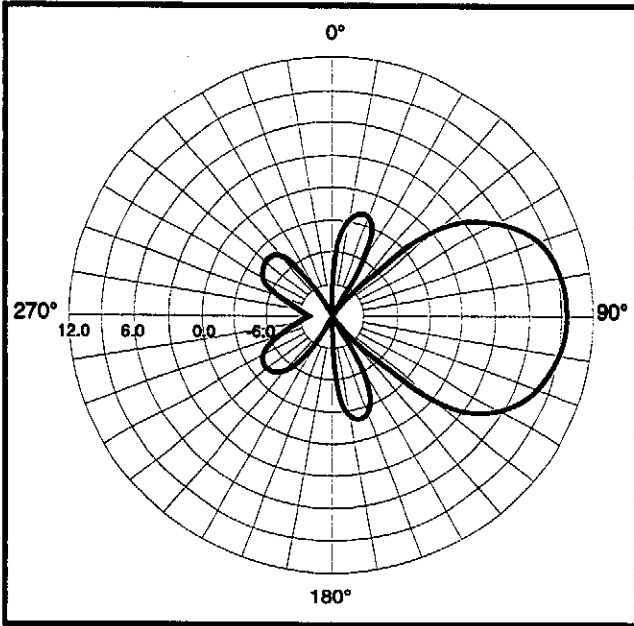
Mechanical Specifications	A-4507	
Dimensions:	in. mm	45 L x 13 W 1143 L x 330 W
Weight:	lbs.(kg)	5 (2.3)
Rated Wind Velocity:	mph(km/h)	200 (324)
Rated Wind Velocity with 0.5 in.(13 mm) radial ice:	mph(km/h)	120 (193)
Horizontal Thrust at Rated Wind Velocity and Ice	lbs.(kg)	48 (21.8)

**Mounting information:**

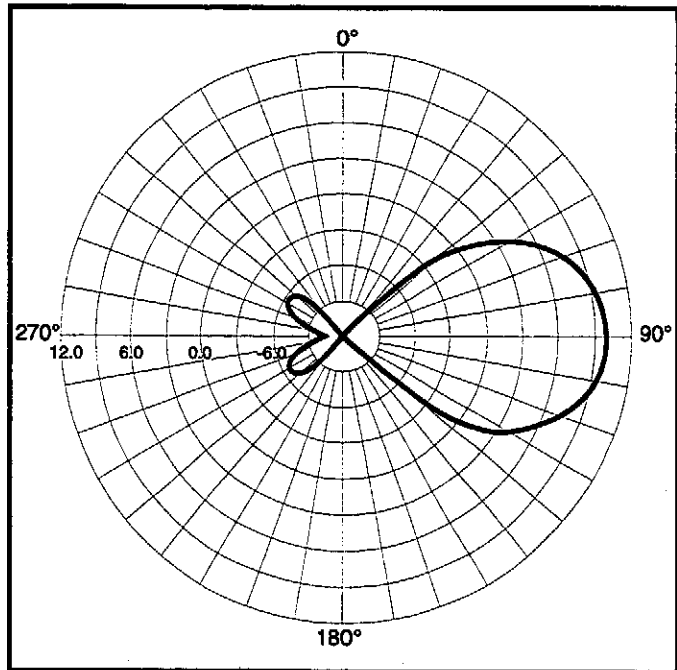
A clamp is provided to mount on 1.9" O.D.(48mm) pipe.



HORIZONTAL PATTERN FOR VERTICAL POLARIZATION



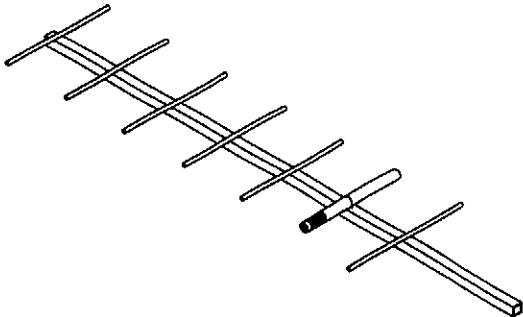
VERTICAL PATTERN FOR VERTICAL POLARIZATION





## Features

- ◆ High front to back ratio to minimize interferences from and with other systems
- ◆ Rugged design to withstand harsh environmental conditions
- ◆ DC grounded to protect against damage from lightning strikes
- ◆ 6061-T6 aluminum elements and stainless steel hardware for high strength, low weight and corrosion resistance
- ◆ Mounting hardware supplied will permit either vertical or horizontal polarization
- ◆ Dual arrays are available for increased gain or special pattern configurations



## Yagi Antenna

# A-8007

10 dBd

806-960 MHz

*Rugged 7 element broadband yagi antenna with high directivity and low VSWR. The reflector and directors are 1/2 in. (13 mm) solid round aluminum rods precision welded to their main boom to reduce the risks of damage or misalignment.*

### Electrical Specifications

**A-8007**

Frequency Range:	MHz	806-960
Nominal Gain:	dBd	10
Bandwidth, 1.5:1 VSWR:	MHz	Note 2
Horizontal Beamwidth (-3 dBd)	Deg.	55
Vertical Beamwidth (-3 dBd)	Deg.	45
Front to Back Ratio:	dB	20
Power Rating:	Watts	150
Polarization:		Vertical or horizontal
Pattern:		Directional
Lightning Protection:		DC ground
Termination:		Type "N" Male

- Note:
- (1) VSWR is referenced to 50 ohms.
  - (2) Specify frequency band when ordering - Standard frequency bands are: 806-870, 824-894 and 895-960 MHz
  - (3) Horizontal & vertical beamwidths are given for vertical polarization.

### Mechanical Specifications

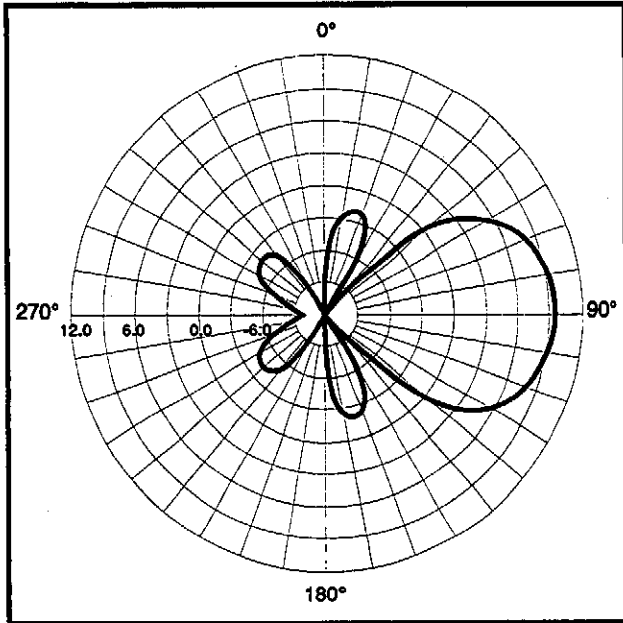
**A-8007**

Dimensions:	in.(mm)	26 L x 8 W (660 L x 203 W)
Weight:	lbs.(kg)	2 (0.9)
Rated Wind Velocity:	mph(km/h)	200 (324)
Rated Wind Velocity with 0.5 in.(13 mm) radial ice:	mph(km/h)	135 (219)
Horizontal Thrust at Rated Wind Velocity and Ice	lbs.(kg)	35 (15.9)

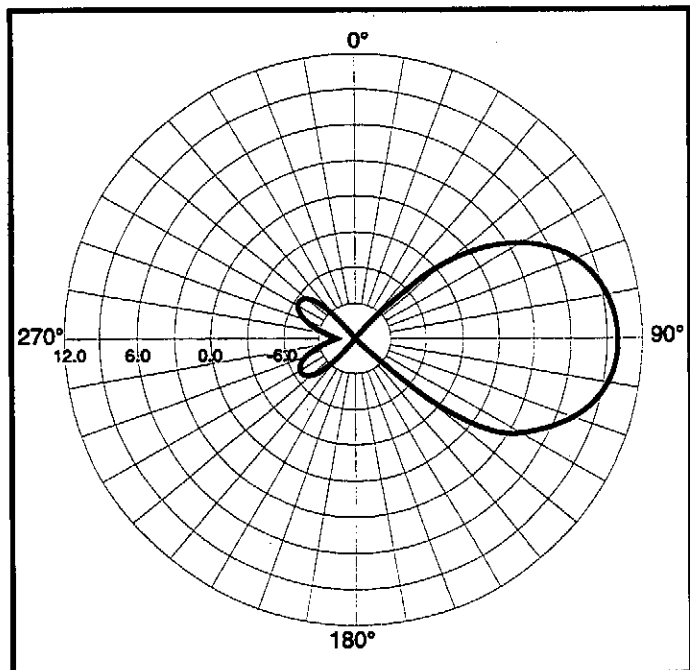
#### Mounting information:

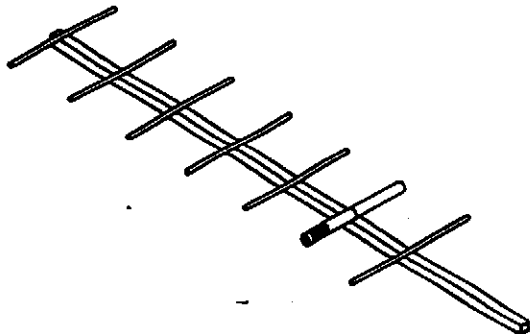
A clamp is provided to mount on 1.9" O.D.(48mm) pipe.

HORIZONTAL PATTERN FOR VERTICAL POLARIZATION



VERTICAL PATTERN FOR VERTICAL POLARIZATION





*The A-9007 is a rugged seven elements 10 dBd gain yagi antenna designed to provide high directivity and high front to back ratio. The reflector and directors are 1/2 in. (13 mm) solid round rods precision welded to their main boom to reduce the risks of damage or misalignment.*

**Electrical Specifications:**

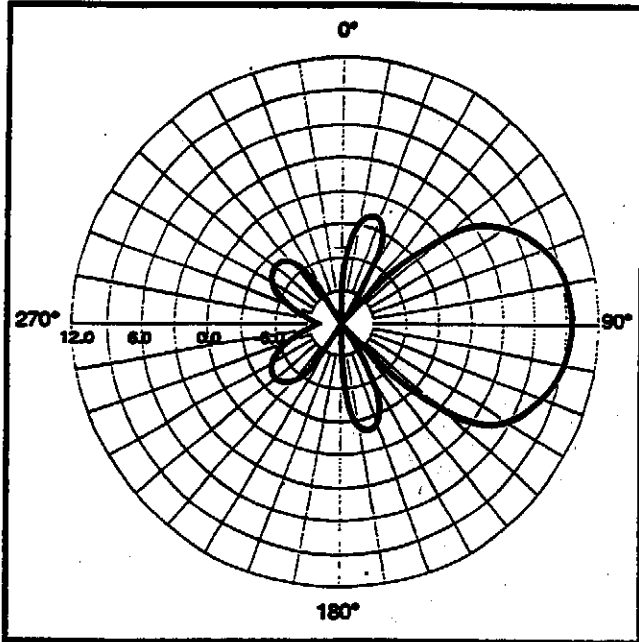
	<b>A-9007</b>
Frequency Range:	895 - 960 MHz
Nominal gain:	10 dBd
Bandwidth 1.5:1 VSWR:	65 MHz
Horizontal Beamwidth <sup>1</sup> (half power points):	55 deg.
Vertical Beamwidth <sup>1</sup> (half power points):	45 deg.
Front to back ratio:	20 dB
Power rating:	150 watts
Polarization:	Horizontal or Vertical
Pattern:	Directional
Lightning protection:	DC ground
Termination:	Type "N" male

Note 1: Horizontal & Vertical beamwidths are given for vertical polarization

**Mechanical Specifications:**

	<b>A-9007</b>
Dimensions:	26 L x 8 W in. (660 L x 203 W mm)
Weight:	0.9 kg approx.
Rated wind velocity:	324 km/h
Rated wind velocity with 0.5" of ice:	219 km/h
Horizontal thrust at rated wind velocity:	35 kg
Mounting information:	Clamps are provided to mount on a 1.9" O.D. pipe

**HORIZONTAL PATTERN FOR VERTICAL POLARIZATION**



**VERTICAL PATTERN FOR VERTICAL POLARIZATION**

