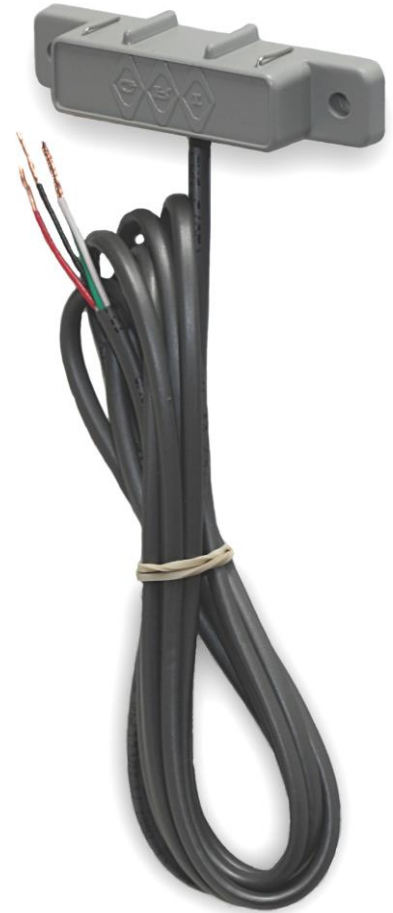




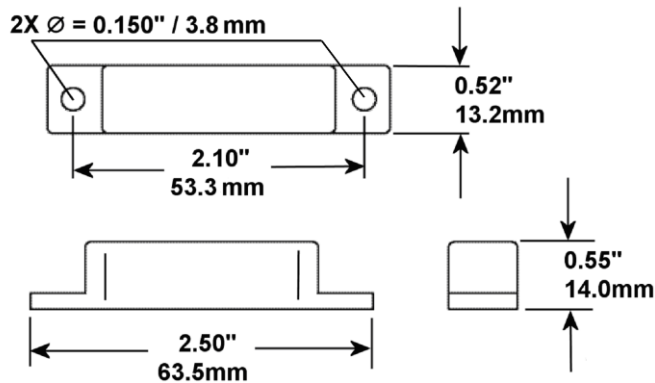
Water Intrusion Sensor · WIS-1

The WIS-1 is used to detect the presence of water by providing a relay signal to any monitoring unit. The WIS-1 operates on 12VDC and functions as a normally closed switch. The unit can detect a layer of water of 1.6mm (1/16in) in depth.

These units should be tested with water after installation and checked every year thereafter. The WIS-1 comes standard with a 6 feet jacketed lead.



ELECTRICAL SPECIFICATIONS	
Operating Voltage:	+12VDC
Operating Current:	10 mA
Relay Contact Resistance:	100mΩ
Maximum Contact Voltage:	200VDC
Switching Current:	500mA
Carry Current:	1A



WIRING CONNECTIONS	
Red Wire:	+12V
Black Wire:	Ground
Green Wire:	Relay Contact
White Wire:	Relay Contact