



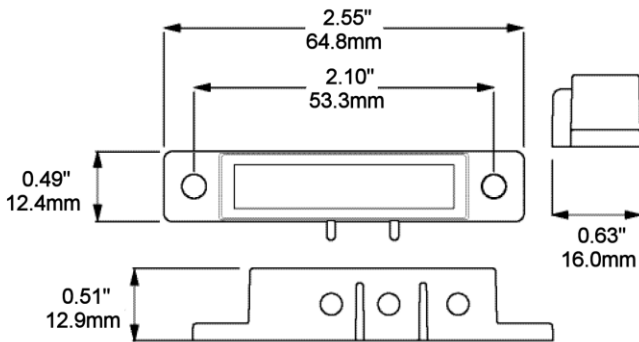
# Surface Mount Door Contact · SMDC-1

The SMDC-1 provides a contact for detection of door opening/closing. It is designed to be used indoor. Covers, spacers and screws are included.

The standard operating gap is 1"/25.4mm between the magnet and the reed relay case.



ELECTRICAL SPECIFICATIONS	
Switch Type:	SPDT (Form C) Contact
Contact Rating:	100mA @ 28VDC



WIRING CONNECTIONS	
NC	Normally closed with magnet
NO	Normally open with magnet
COM	Common contact

