



AC Voltage Sensor · SACVS-1

The Single-Phase AC Voltage Sensor (SACVS-1) provides an analog DC voltage output which is proportional to the AC line voltage. It is normally used to monitor line voltage variations at remote sites and it is fully compatible with Davicom DV series of remote monitoring and control equipment. The transducer is UL, CUL and CE listed.

For readings in VAC, enter the following ABC coefficients in the Davicom software:

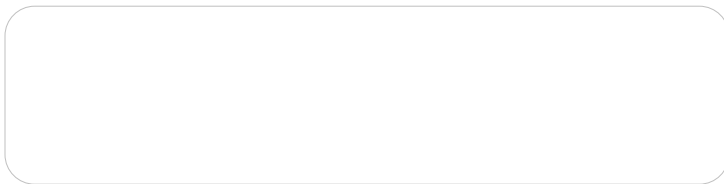
DV-208/216: A=0; B=60; C=0;

DV-Mini: A=0; B=61; C=0;

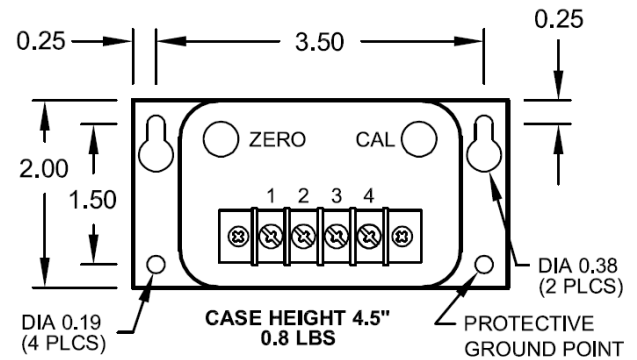
DV-Micro: A=0; B=61.5; C=0;



MECHANICAL SPECIFICATIONS	
Dimensions:	4 x 2 x 4 1/2 in. (W x D x H) 10.16 x 5.08 x 11.43 cm
Weight:	0.8lbs (0.36kg)



ELECTRICAL SPECIFICATIONS	
Input Voltage:	0-300 V _{AC} (50/60 Hz)
Supply Voltage:	Self-powered
Output voltage:	0 – 5 VDC
Accuracy :	±0.25% F.S. at 60 Hz
Burden :	3VA
Operating Temp. Range	-20°C to 60°C



RISK OF ELECTRICAL SHOCK AND DEATH

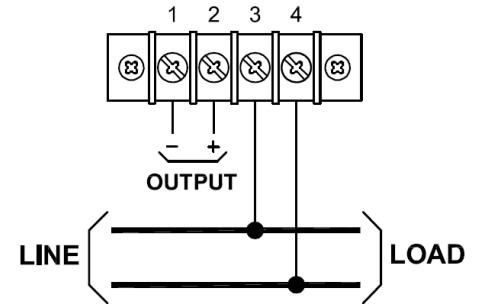
INSTALLATION MUST BE CARRIED OUT BY QUALIFIED PERSONNEL

SACVS-1 INSTALLATION AND OPERATING INSTRUCTIONS

INSTALLATION INSTRUCTIONS

1. Installation should be performed by qualified personnel only.
2. Make sure electrical service is discontinued before making any electrical connections.
3. Branch circuit protection is required to be provided in accordance with the National and Local codes of the inspection authority.
4. Route wires as required and secure to terminals per connection diagram on this sheet and on the unit.
5. Attach Protective Ground Point (⊕) to earth ground by mounting to a grounded enclosure or by attaching ground wire. Paint barrier on can must be broken by using an internal-tooth lock-washer or similar device.

Connection diagram:



OPERATING INSTRUCTIONS

1. This unit is intended for indoor use at altitudes up to 2000 meters.
2. Transient overvoltages according to Installation Category II (overvoltage category), pollution Degree 2.
3. The output signal is intended to be "Not accessible to the user". To prevent contact with live circuits, the transducer is required to be mounted in an enclosure that required the use of a tool for access.
4. If cleaning of the exterior surface is necessary, make sure electrical service is discontinued, remove all wiring connections and brush with a soft brush or blow off with low-pressure air.
5. Maximum operating relative humidity is 80 percent for temperatures up to 31°C, decreasing linearly to 50 percent relative humidity at 40°C.