



# Photoelectric Smoke Alarm · PSA-1

The PSA-1 photoelectric Smoke Alarm is recommended where low-voltage Class 2 wiring may be used. The device offers an 85 dB alarm horn as well as form C alarm contact with 8 second delay for controlling external functions.

Up to 12 units can be interconnected and configured so that all alarm relays activate on alarm or individually. An external push button provides for testing of the units alarm function as well as silencing. A visible LED indicator flashes once every 40 seconds in standby and rapidly in alarm when smoke is detected.

Screw terminals and a mounting bracket are provided for easy installation.

Dirt-Alert feature helps prevent false alarms by detecting dirt in smoke chamber. The chamber has been made removable for easy cleaning.

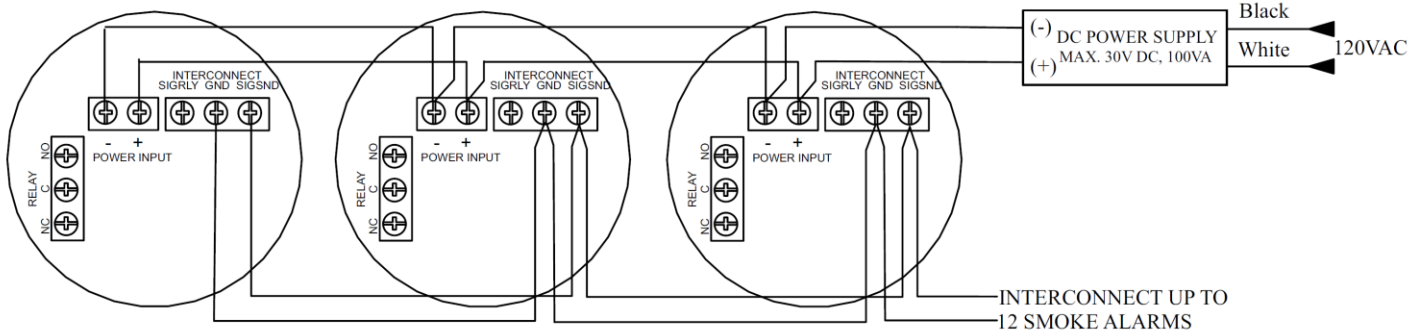


MECHANICAL SPECIFICATIONS	
Dimensions:	2.16in x 5.3in dia. (H x D) 55mm x 135 mm dia.
Weight:	6.35oz (180 g)

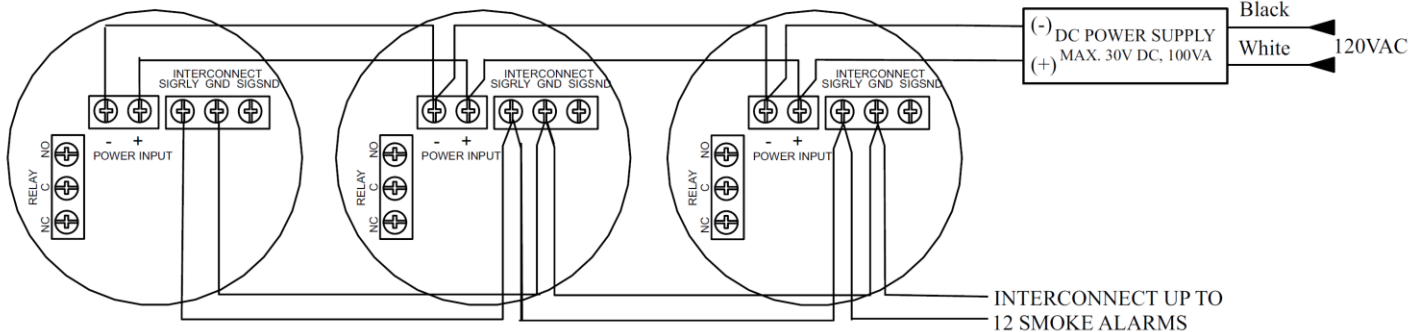
ELECTRICAL SPECIFICATIONS	
Relay Contact:	1 Form C, 1A@30V (DC or AC)
Supply Voltage:	10-30VDC
Standby Current :	60µA maximum
Alarm Current:	65 mA maximum
Operating Hum. Range:	5%-93% RH
Temperature Range:	0°C to 50°C (32F to 120F)

# PSA-1 Installation

SIGSND MODE- ALL UNITS SOUND, ONLY UNIT THAT DETECTS SMOKE ACTIVATES ITS RELAY



SIGRLY MODE- ALL UNITS SOUND AND ALL RELAYS ACTIVATE



Maximum power bus length in feet, given number of units (maximum per bus) and wire gauge(AWG)  
Supply Voltage = 12VDC

Wire Gauge	1 Unit	2 Units	3 Units	4 Units	5 Units	6 Units	7 Units	8 Units	9 Units	10 Units	11 Units	12 Units
14	13587	6795	4529	3397	2718	2266	1941	1699	1510	1358	1234	1134
16	8505	4254	2835	2126	1701	1419	1216	1064	945	852	772	705
18	5360	2679	1787	1339	1071	894	765	670	595	537	488	443
20	3383	1692	1127	847	677	565	483	422	376	338	308	282
22	2114	1057	705	527	422	352	301	264	236	212	191	175

For 24VDC supply voltage, the maximum power bus length is 4 times as long as 12VDC supply voltage.  
Maximum interconnect bus length: 5000 FT, No. 14-22AWG cable

All wiring must conform to local electrical codes.